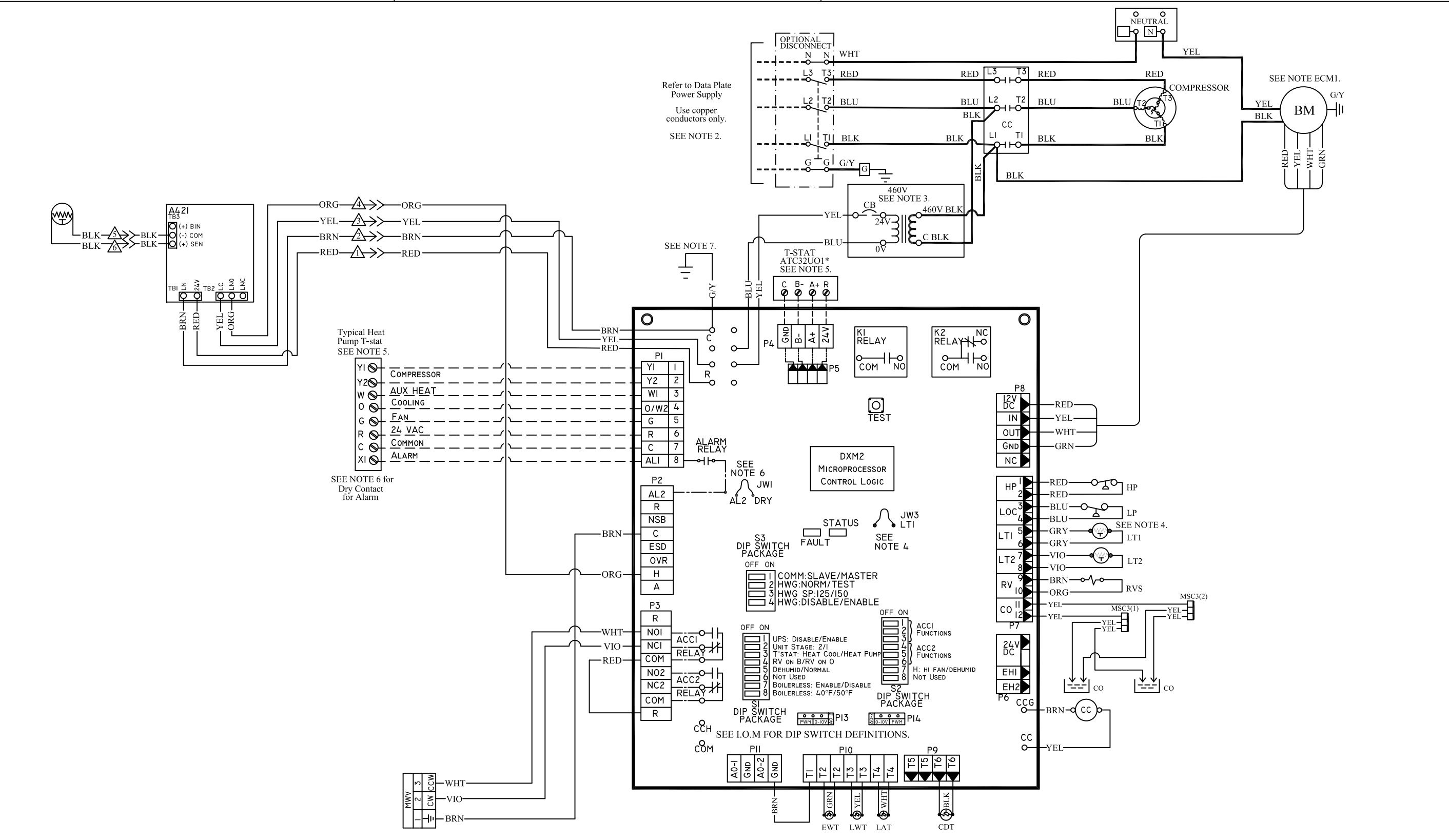


- LEGEND**
- Factory Low voltage Wiring
 - Factory Line Voltage Wiring
 - - - Field Low voltage Wiring
 - - - Field Line voltage Wiring
 - - - Printed Circuit Trace
 - - - Optional Wiring
 - Optional Block
 - Capacitor
 - Circuit Breaker
 - ▭ Condensate Pan
 - Control Board Jumper
 - ▭ FUSE
 - ⊥ Ground
 - ⊥ High Pressure Switch
 - LED
 - ⊥ Low Pressure Switch
 - ⊥ Mate-N-Lock
 - ▭ Multi Splice Connector
 - * Optional
 - Overload
 - ⊥ Relay contacts - N.C.
 - ⊥ Relay contacts - N.O.
 - Relay / Contactor Coil
 - ⊥ Solenoid Coil
 - ▭ Splice Cap
 - ⊥ Temperature Switch
 - ⊥ Thermistor
 - ⊥ Wire Nut

- NOTES:**
1. Compressor and Blower Motor thermally protected internally.
 2. All wiring to the unit must comply with NEC and local codes low voltage wiring shall be Class 2 or equivalent.
 3. Transformer wiring is voltage sensitive. Use layout corresponding to the unit voltage.
 4. LT1 provides low temperature protection for WATER. When using ANTI-FREEZE solutions, cut JW3 jumper.
 5. Typical heat pump thermostat wiring shown. Refer to thermostat IOM for wiring to the unit. T-Stat wiring must be "Class 1" and voltage rating equal to or greater than unit supply voltage.
 6. 24V Alarm signal shown. For Dry Alarm contact between AL1 & AL2, cut JW1 for CXM/DXM Gen2 or JW4 DXM.
 7. Transformer Secondary Ground via control board standoffs and/or Common to Control Box.

ECM1. For ECM Blower Motor air flow adjustment and diagnostic information refer to I.O.M.



- ACO Automatic Change Over
- AL Alarm Relay Contacts
- ATS Air Temperature Sensor
- BM Blower Motor
- BMC Blower Motor Capacitor
- BR Blower Relay / Blower Contactor
- CAP Capacitor
- CB Circuit Breaker
- CC Compressor Contactor
- CDT Compressor Discharge Temperature
- CO Condensate Overflow Sensor
- CR Compressor Relay
- CRC Compressor Run Capacitor
- CS Current Sensor
- DHW Domestic Hot Water
- DM Damper Motor
- DTS Discharge Temperature Switch
- EEV Electronic Expansion Valve
- EHC Electronic Heat Contactor
- ES End Switch
- ETC Electronic Temperature Control
- EWT Entering Water Temp Sensor
- FSR Fan Speed Relay
- FSS Fan Speed Switch
- HP High Pressure Switch
- HPWS High Pressure Water Switch
- HR Heating Relay
- JW Jumper Wire
- LAT Leaving Air Temperature
- LOR Lock Out Relay
- LP Low Pressure Switch
- LT1 Sensor, low temp protection, water coil
- LT2 Sensor, low temp protection, air coil
- LWT Leaving Water Temp Sensor
- MCO Manual Change Over
- MOD Modulating Water Valve
- MS Manual Starter
- MSC Multi Splice Connector
- MWV Motorized Water Valve
- NLL Night Low Limit Switch
- PDB Power Distribution Block
- POT Potentiometer
- P1 Field Wiring Terminal Block
- PR Pump Relay
- RAS Return Air Sensor
- RVS Reversing Valve Solenoid
- SAC Start Assist Capacitor
- SAS Supply Air Sensor
- TB Terminal Block
- TRANS Transformer
- UMT Unit Mounted Thermostat
- VFD Variable Frequency Drive
- VSP Variable Speed Pump
- WSTAT Water Stat